

NEXT 3800

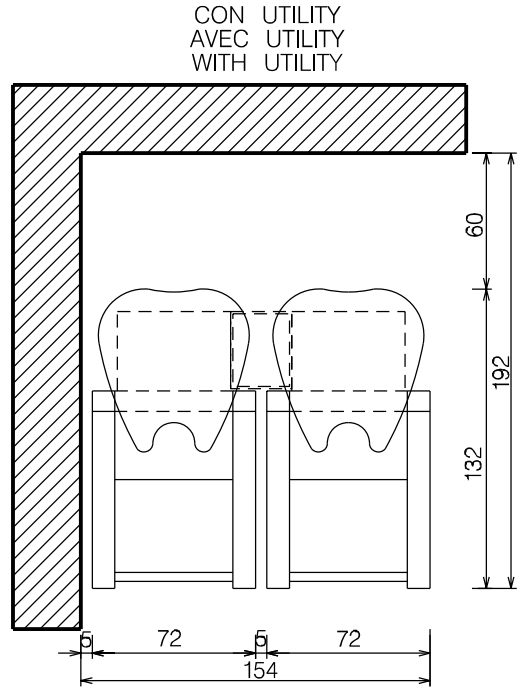
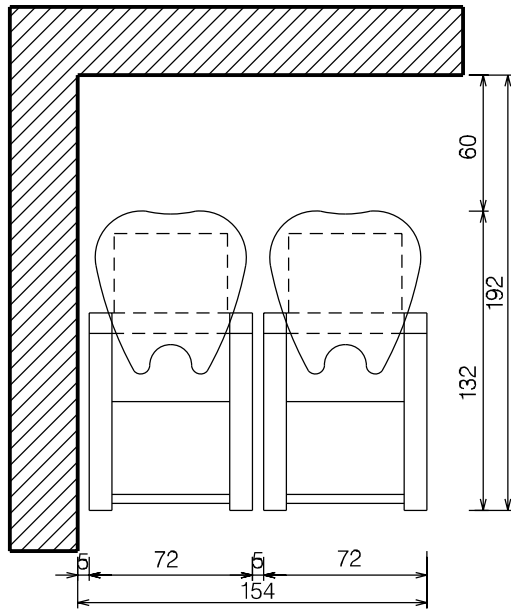
SCHEMA IDRAULICO

SCHEMA HYDRAULIQUE

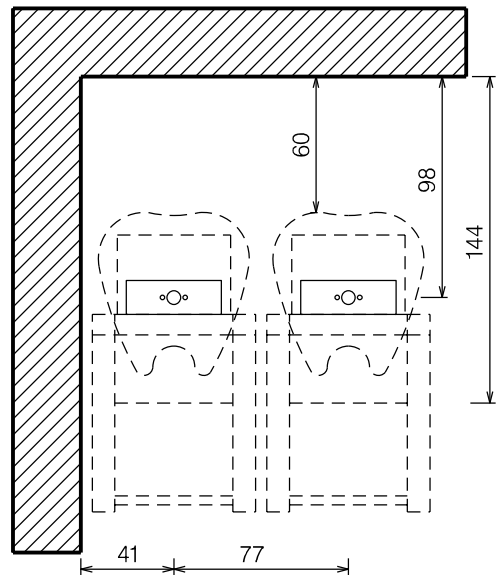
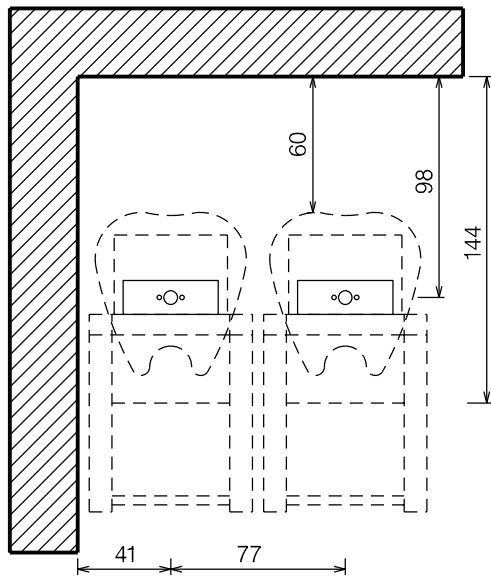
HYDRAULIC PLAN

HYDRAULISCHE PLAN

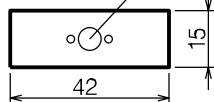
INGOMBRO TOTALE
ENCOMBREMENT TOTAL
TOTAL ENCUMBRANCE



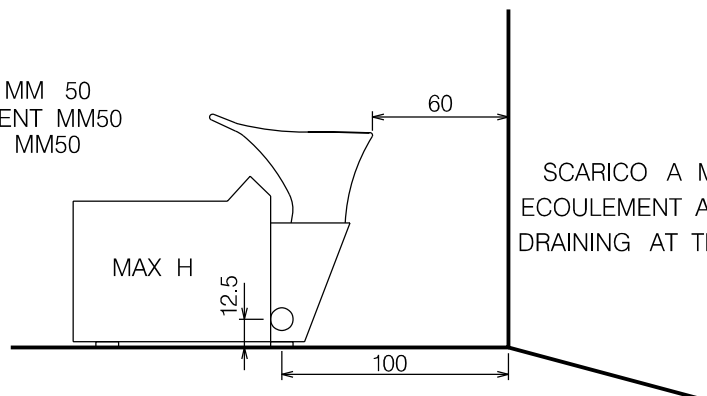
POSIZIONE DEL CENTRO SCARICO
POSITION DU CENTRE DE L'ECOULEMENT
SITUATION OF THE DRAINING CENTER



SPAZIO UTILE
ESPACE UTILE
WORK SPACE



SCARICO MM 50
ECOULEMENT MM50
DRAINING MM50



SCARICO A MURO
ECOULEMENT AU MUR
DRAINING AT THE WALL